

LIFTKING

LK-3022 Forklift



**MOVING YOUR FUTURE**

# LK-3022 Forklift



▲ 12" Ground Clearance



▲ High Visibility Cab for increased Driver Safety

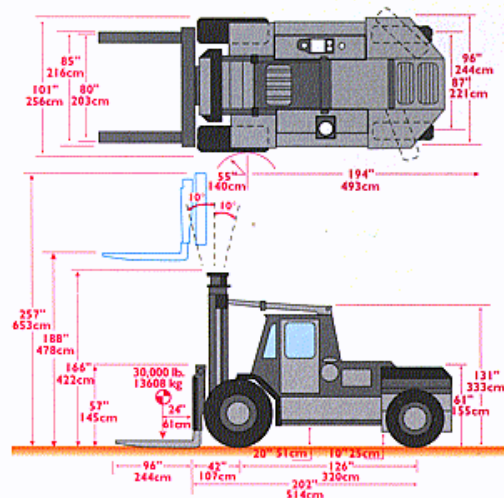
## SPECIFICATIONS LK-3022

### GENERAL

Type of Vehicle	Lifting LK3022, 2WD, 2WS, Diesel Lift Truck
Manufacturer	Lifeking Industries Incorporated
Rated Capacity	30,000 lbs (13608 kg) at 24 in. (610 mm) Load Center
Length (Less Forks)	202 inches / 5130 mm
Overall Width (Standard Tires)	101 inches / 2565 mm
Height of Overhead Guard	131 inches / 3327 mm
Maximum Lift Height (Standard)	188 inches / 4775 mm
Mast Tilt, Forward/Backward	10 / 10 Deg.
Lowered Mast Height	166 inches / 4216 mm
Extended Mast Height	257 inches / 6528 mm
Ground Clearance (under Counterweight)	12 inches / 304 mm
Ground Clearance (under Frame)	20 inches / 508 mm
Turning Radius (Outside)	194 inches / 4928 mm
Turning Radius (Inside)	55 inches / 1397 mm
Wheel Base	126 inches / 3200 mm
Tread, Front	80 inches / 2032 mm
Tread, Rear	37 inches / 940 mm
Weight (no load)	46,450 lb. / 21,070 kg
Brakes, Service	2 Wheel, Air
Brakes, Parking	Hand, Mechanical
Forks, length	96 inches / 2438 mm
Forks, width	12 inches / 304 mm
Forks, thickness	2-1/2 inches / 63.5 mm

<b>ENGINE:</b>	Cummins Engine Inc., 152 bhp at 2500 rpm
<b>TRANSMISSION:</b>	3 Speed Powershift
<b>TIRES</b>	<b>DRIVE:</b> 20.5 R25
	<b>STEER:</b> 12.00 - 20ML

\* Please call Dealer for various Mast, Carriage and Fork options.



Heavy Duty Steer Axle with integral Double Acting Steer Cylinder

