

AVAILABLE EQUIPMENT AND ATTACHMENTS

- High-flotation drive tires (contact factory)
- Side-shift carriages without loss of capacity
- Hydraulic fork positioner
- Load backrest
- Full suspension seat
- Instrument gauges
- High air intake
- Vertical exhaust (standard on 4-wheel drive machines)
- Anti-vandalism package
- Backup alarm
- Floodlights
- Amber strobe light
- Cab
- Additional Options (contact factory)

BUILT SPECIFICALLY FOR ROUGH TERRAIN WORK

Consider these key features of Noble's R-Series lift truck:

- Proven, reliable Caterpillar Tier II balanced diesel engines
- Heavy steel plate frame is welded into a rigid structure
- Productive power shuttle transmissions with inching feature
- Leaf spring suspension standard on all models
- Provides operator comfort while reducing damage to axle, frame and load
- Excellent traction, superior flotation and high ground clearance
- Compact dimensions and tight turning radiuses for impressive maneuverability
- Standard and full free lift triple masts
- Maximum lift heights from 10 to 30 ft (3 to 9m)
- Side-shift carriages without loss of capacity
- Spacious operator's compartment with convenient controls makes it easy to get the job done
- Easy transport: 45° forward mast tilt for trailering, or an optional towing package
- Unparalleled dealer to factory product support

Extensive Dealer Support

Our dealer network covers all of North America with hundreds of dealer locations that have thousands of trained service techs ready to provide you with superior service and support. It's all part of the Factory and dealer commitment to help you achieve maximum productivity. Innovative engineering, design excellence and manufacturing quality have been the hallmarks of Noble Lift Trucks.

Warranty Coverage

Parts and labor are covered for one year, or 2,000 service hours which ever comes first, for all new Noble lift trucks (excluding the TrailerMate).

Financial Services

There are a variety of financing and leasing options with terms, cash requirements and tax benefits to suit the individual needs of your business.

Your Next Step

See for yourself the benefits of owning or leasing Noble lift trucks. Call your Noble lift truck dealer for a demonstration and a quote.



RC60 LoPro



ROUGH TERRAIN LIFT TRUCKS

- Built Specially for Rough Terrain
- Powered by reliable Caterpillar Diesel Engine
- Planetary Drive Axle
- Synchronized Power Shuttle Transmission
- Transmission Features Inch Control
- Optional Rugged Towable Drive Axle
- Responsive Hydraulics
- Tough, Productive Masts
- More Lifting Capacity in High Lifts
- Durable Carriages
- Equipment Options
- Easy to Maintain
- Easy to Transport
- Easy to Operate
- Extensive Dealer Support
- Dealer Financing
- Commitment to Quality



R Series forklifts are built specifically for rough terrain work and designed to meet your needs



Innovative engineering, design excellence, and manufacturing quality comes with the RT-Series.



TM Series trucks are Designed Using the Latest Engineering Technology ProEngineering.



Veri-Tek International, Corp., 7402 West 100th Place, Bridgeview, IL 60455

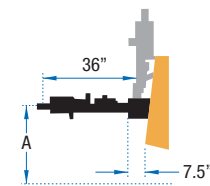
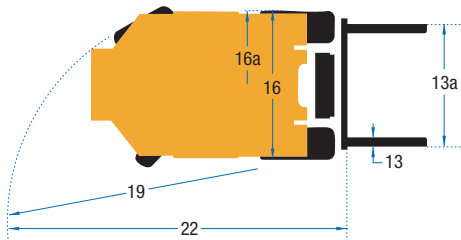
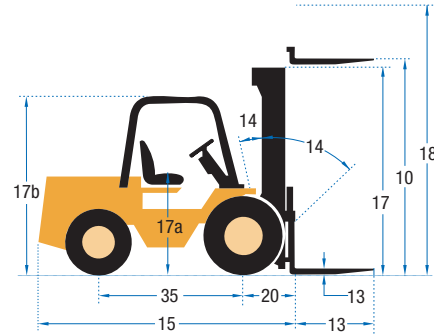
Phone: 708 237 2080 • Fax 708 430 1335 • Web Site: www.veri-tek.com

CHARACTERISTICS

Model	
System of Measurement	
Capacity	rated load
At Load Center	distance
Power	diesel
Tires	pneumatic
Drive	no. wheels driven

DIMENSIONS

Lift (with standard)	maximum fork height with rated load	
	maximum fork height (10)	
	free fork height	
Forks	length x width x thickness (13)	
Fork Spacing out - to out	minimum/maximum (13a)	
Tilt of Mast	forward/back (14)	
Overall Dimensions	length to fork face (15)	
	width	with standard tires (16)
		w/front & high flotation tires (16a)
	height	with lowered mast (17)
		seat height (17a)
to top of overhead guard (17b)		
with extended mast (top of carriage) (18)		
Min. Outside Turning Radius (19)		
Load Moment Constant (20)	from center of front axle to fork face	
Minimum Aisle 90° stack (22)	(add load length and clearance)	



PERFORMANCE

Top Travel Speed	standard
	towable
Lift Speed	loaded/unloaded (diesel)
Lowering Speed	loaded/unloaded
Drawbar Pull	loaded
	unloaded
Gradeability (@1.0 mph)	loaded
	unloaded

WEIGHT

Empty		
Axle Load	w/rated load	front
		rear
	without load	front
		rear

CHASSIS

Tires	dimensions	front standard tires
		front w/high - flotation tires
		rear
Wheelbase (35)		
Tread Width	front w/standard tires	
	front w/high flotation tires	
	rear	
Ground Clearance	with load	
	at lowest point	
Brakes	service (standard)	
	service towable	
	parking	

POWER TRAIN

Engine	manufacturer/model(diesel)as of 1/05
	gross power per SAE J1349
	at RPM(diesel)
	cylinders/displacement (diesel)

	R40		R50		RC60		RC60 Lo Pro	
	U.S.	Metric	U.S.	Metric	U.S.	Metric	U.S.	Metric
lb-kg	4000	2000	5000	2500	6000	3000	6000	3000
in-mm	24	500	24	500	24	500	24	500
	diesel		diesel		diesel		diesel	
	pneumatic		pneumatic		pneumatic		pneumatic	
	2WD		2WD		2WD		2WD	

in-mm	168	4270	168	4270	168	4270	132	3353
in-mm	168	4270	168	4270	168	4270	132	3353
in-mm	5.7	145	5.7	145	5.7	145	45.7	1162
in-mm	48x4x1.75	1200x100x45	48x4x1.75	1200x100x45	48x4x1.75	1200x100x45	48x4x1.75	1200x100x45
in-mm	10.4/65.3	264/1660	10.4/65.3	264/1660	10.4/65.3	264/1660	10.4/65.3	264/1660
degrees	45/12		45/12		45/12		45/10	
in-mm	132.5	3370	132.5	3370	132.5	3370	134.5	3417
in-mm	78.3	1990	78.3	1990	78.3	1990	78.3	1990
in-mm	81/5	2070	81/5	2070	81.5	2070	81.5	2070
in-mm	119	3023	119	3023	119	3023	77	1956
in-mm	49.7	1260	49.7	1260	49.7	1260	39.5	1004
in-mm	93.5	2370	93.5	2370	93.5	2370	77	1956
in-mm	216	5487	216	5487	216	5487	152	3862
in-mm	152	3861	152	3861	152	3861	183.5	4662
in-mm	26.4	671	26.4	671	26.4	671	26.4	671
in-mm	181.5	4610	181.5	4610	181.5	4610	181.5	4610

mph kmh	19.4	31.2	19.4	31.2	19.4	31.2	19.4	31.2
mph kmh	30.5	49.1	30.5	49.1	30.5	49.1	30.5	49.1
fpm-m/s	64/71	.33/.36	69/71	.35/.36	69/71	.35/.36	69/71	.35/.36
fpm-m/s	72/56	.45/.28	88/56	.45/.28	88/56	.45/.28	88/56	.45/.28
lb/N	10700	49300	12000	55550	13350	59400	12000	55550
lb/N	9740	43300	9720	43200	9700	43150	9310	42220
lb/n	4730	21050	4590	20400	4450	19800	4590	20400
%	51.7		53.2		53		53	
%	31.3		29.1		26.6		26.6	

lb-kg	10700	4850	11150	5055	11800	5350	12425	5635
lb-kg	12100	5875	13550	6400	15150	7150	15150	7150
lb-kg	2600	1175	2650	1155	2650	1200	2650	1200
lb-kg	5400	2450	5000	2265	4800	2175	4800	2175
lb-kg	5300	2400	6150	2790	7000	3175	7000	3175

in	15x19.5, 12 ply		15x19.5, 12 ply		15x19.5, 12 ply		15x19.5, 12 ply	
in	18x19.5, 16 ply		18x19.5, 16 ply		18x19.5, 16 ply		18x19.5, 16 ply	
in	12.16.5, 10 ply		12.16.5, 10 ply		12.16.5, 10 ply		12.16.5, 10 ply	
in-mm	75	1900	74.8	1900	75	1905	75	1905
in-mm	64	1625	64	1625	64	1625	64	1625
in-mm	65.8	1675	65.8	1675	65.8	1675	65.8	1675
in-mm	64.7	1645	64.7	1645	64.7	1645	64.7	1645
in-mm	8.3	210	8.3	210	8.3	210	11.3	288
in-mm	9.8	248	9.8	248	9.8	248	9.8	248
	oil disc, mechanical		oil disc, mechanical		oil disc, mechanical		oil disc, mechanical	
	shoe type, hydraulic		shoe type, hydraulic		shoe type, hydraulic		shoe type, hydraulic	
	hand-operated, mechanical		hand-operated, mechanical		hand-operated, mechanical		hand-operated, mechanical	

hp-KW	Caterpillar 3054C Tier II		Caterpillar 3054C Tier II		Caterpillar 3054C Tier II		Caterpillar 3054C Tier II	
	83	61.92	83	61.92	83	61.92	83	61.92
	2400		2400		2400		2400	
cu.inl	4/258.3	4/4.233	4/258.3	4.4.233	4/258.3	4/4.233	4/258.3	4.4.233