

AVAILABLE EQUIPMENT AND ATTACHMENTS

- High-flotation drive tires (contact factory)
- Side-shift carriages without loss of capacity
- Hydraulic fork positioner
- Load backrest
- Full suspension seat
- Instrument gauges
- High air intake
- Vertical exhaust (standard on 4-wheel drive machines)
- Anti-vandalism package
- Backup alarm
- Floodlights
- Amber strobe light

BUILT SPECIFICALLY FOR ROUGH TERRAIN WORK

Consider these key features of Noble's R-Series lift truck:

- Proven, reliable Caterpillar Tier II balanced diesel engines
- Heavy steel plate frame is welded into a rigid structure
- Productive power shuttle transmissions with inching feature
- Leaf spring suspension standard on all models
- Provides Operator Comfort while Reducing Damage to Axle, Frame and Load
- Excellent traction, superior flotation and high ground clearance,
- Compact dimensions and tight turning radiuses for impressive maneuverability
- Standard and full free lift triple masts.
- Maximum lift heights from 10 to 30 ft (3 to 9m).
- Side-shift carriages without loss of capacity
- Spacious operator's compartment with convenient controls makes it easy to get the job done.
- Easy transport: 45° forward mast tilt for trailering, or an optional towing package.
- Unparalleled dealer to factory product support

Extensive Dealer Support

Our dealer network covers all of North America with hundreds of dealer locations that have thousands of trained service techs ready to provide you with superior service and support. It's all part of the Factory and dealer commitment to help you achieve maximum productivity. Innovative engineering, design excellence and manufacturing quality have been the hallmarks of Noble Lift Trucks.

Warranty Coverage

Parts and labor are covered for one year, or 2,000 service hours which ever comes first, for all new Noble lift trucks (excluding the TrailerMate).

Financial Services

There are a variety of financing and leasing options with terms, cash requirements and tax benefits to suit the individual needs of your business.

Your Next Step

See for yourself the benefits of owning or leasing Noble lift trucks. Call your Noble lift truck dealer for a demonstration and a quote.



R Series forklifts are built specifically for rough terrain work and designed to meet your needs



Innovative engineering, design excellence, and manufacturing quality comes with the RT-Series.



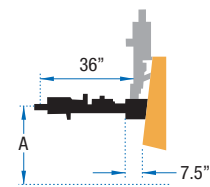
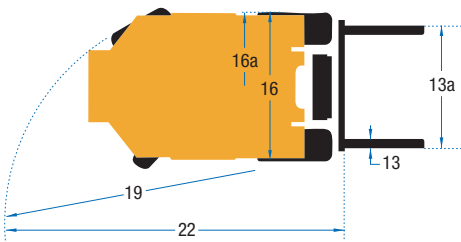
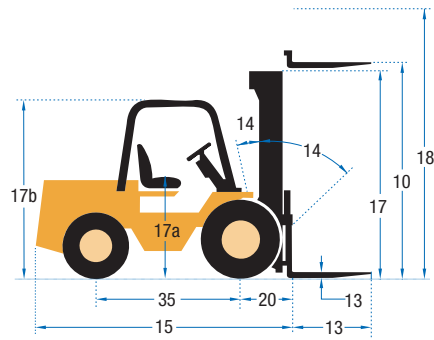
TM Series trucks are Designed Using the Latest Engineering Technology ProEngineering.



Veri-Tek International, Corp., 7402 West 100th Place, Bridgeview, IL 60455
Phone: 708 237 2080 • Fax 708 430 1335 • Web Site: www.veri-tek.com

ROUGH TERRAIN LIFT TRUCKS

- Built Specially for Rough Terrain
- Powered by reliable Caterpillar Diesel Engine
- Planetary Drive Axle
- Synchronized Power Shuttle Transmission
- Spring Mounted Steer Axle
- Optional Rugged Towable Drive Axle
- Responsive Hydraulics
- Tough, Productive Masts
- More Lifting Capacity in High Lifts
- Durable Carriages
- Equipment Options
- Easy to Maintain
- Easy to Transport
- Easy to Operate
- Extensive Dealer Support
- Dealer Financing
- Commitment to Quality



Characteristics

Model		
System of Measurement		
Capacity	rated load	lb-kg
At Load Center	distance	in-mm
Power	diesel	
Tires	pneumatic	
Drive	no. wheels driven	

Dimensions

Lift (with standard)	maximum fork height with rated load	in-mm	
	maximum fork height (10)	in-mm	
	free fork height	in-mm	
Forks	length x width x thickness (13)	in-mm	
Fork Spacing out-to-out	minimum/maximum (13a)	in-mm	
Tilt of Mast	forward/back (14)	degrees	
Overall Dimensions	length to fork face (15)	in-mm	
	width	with standard tires (16)	in-mm
		w/front & high flotation tires (16a)	in-mm
	height	with lowered mast (17)	in-mm
		seat height (17a)	in-mm
to top of overhead guard (17b)		in-mm	
	with extended mast (top of carriage) (18)	in-mm	
Min. Outside Turning Radius (19)		in-mm	
Load Moment Constant (20)	from center of front axle to fork face	in-mm	
Minimum Aisle - 90° stack (22)	(add load length and clearance)	in-mm	

Performance

Top Travel Speed	standard	mph kmh
	towable	mph kmh
Lift Speed	loaded/unloaded (diesel)	fpm-m/s
Lowering Speed	loaded/unloaded	fpm-m/s
Drawbar Pull	loaded	lb/N
	unloaded	lb/N
@ 1.0 mph	loaded	lb/N
	unloaded	lb/N
Gradeability (@1.0 mph)	loaded	%
	unloaded	%

Weight

Empty		lb-kg	
Axle Load	w/rated load	front	lb-kg
		rear	lb-kg
	without load	front	lb-kg
		rear	lb-kg

Chassis

Tires	dimensions	front standard tires	in
		front w/high-flotation tires	in
		rear	in
Wheelbase (35)		in-mm	
Tread Width	front w/standard tires	in-mm	
	front w/high flotation tires	in-mm	
	rear	in-mm	
Ground Clearance	with load	in-mm	
	at lowest point	in-mm	
Brakes	at center of wheel base	in-mm	
	service (standard)		
	service towable		
	parking		

Power Train

Engine	manufacturer/model(diesel) as of 1/05	
	gross power per SAE J1349	hp-KW
	at RPM (diesel)	
Transmission	cylinders/displacement (diesel)	cu.in-l
	type	
	no. speeds forward/reverse	
Relief Pressure		psi-kPa

R60		R80		R60 4WD		R80 4WD		R80 10K 2WD		R80 10K 4WD	
U.S.	Metric	U.S.	Metric	U.S.	Metric	U.S.	Metric	U.S.	Metric	U.S.	Metric
6000	3000	8000	4000	6000	3000	8000	4000	10000	5000	10000	5000
24	500	24	500	24	500	24	500	24	500	24	500
diesel		diesel		diesel		diesel		diesel		diesel	
pneumatic		pneumatic		pneumatic		pneumatic		pneumatic		pneumatic	
2WD		2WD		2WD/4WD		2WD/4WD		2WD		2WD/4WD	

168	4270	168	4270	168	4270	168	4270	168	4270	168	4270
168	4270	168	4270	168	4270	168	4270	168	4270	168	4270
5.7	145	5.7	145	5.7	145	5.7	145	5.7	145	5.7	145
48x5x2	1200x125x50	48x5x2	1200x125x50	48x5x2	1200x125x50	48x5x2	1200x125x50	48x5x2	1200x125x50	48x5x2	1200x125x50
9.8/76.8	250/1900	9.8/76.8	250/1950	9.8/76.8	250/1950	9.8/76.8	250/1950	9.8/76.8	250/1900	9.8/76.8	250/1950
45/12		45/12		45/12		45/12		45/12		45/12	
146	3708	146	3708	148	3708	146	3708	162	4118	162	4118
88	2261	89	2261	87.9	2230	87.9	2230	88	2261	93.5	2375
N/A	N/A	N/A	N/A	N/A	N/A	N/A	N/A	N/A	N/A	N/A	N/A
124.5	3162	124.5	3162	130.5	3315	130.5	3315	131.5	3340	137.5	3493
54	1372	54	1372	59.2	1505	59.2	1505	54	1372	61	1542
97.8	2484	97.8	2484	103.5	2630	103.5	2630	97.8	2484	105	2667
217.5	5525	217.5	5525	223.5	5877	223.5	5877	224.5	5702	232	5893
180	4572	180	4572	186.5	4740	186.5	4740	212	5385	250	6350
28.8	732	28.8	732	32.7	831	32.7	831	29.2	742	33	838
204.5	5190	204.5	5190	220	5580	220	5580	294	7468	335	8510

19.4	31.2	19.4	31.2	15.1	24.3	15.1	24.3	19.5	31.4	13	20.9
30.5	49.1	30.5	49.1	N/A	N/A	N/A	N/A	N/A	N/A	N/A	N/A
60/67	0.31/0.34	52/67	0.26/0.34	65/67	0.333/0.34	52/67	0.26/0.34	52/67	0.26/0.34	52/67	0.26/0.34
72/48	0.45/0.24	56/48	0.34/0.24	66/48	0.34/0.24	66/48	0.34/0.24	66/48	0.34/0.24	66/48	0.34/0.24
10700	49300	13000	57700	10540	46850	10730	47750	11000	48840	11000	48840
9740	43300	9430	41900	N/A	N/A	N/A	N/A	N/A	N/A	N/A	N/A
4730	21050	5050	22450	10600	47180	10800	48200	8850	30414	11000	48840
51.7		52.9		59.2		50.4		44.2		42.2	
31.3				58.7		58.2		27.9		58	

12700	5760	14100	5395	14800	6715	16000	7255	17200	7800	18300	8300
15910	7223	18900	8975	17000	8015	20000	9500	23880	10740	25150	11418
2790	1245	3200	1425	3800	1700	4000	1755	3520	1595	3150	1430
6100	2765	5800	2630	6650	3015	6200	2810	7880	3575	9100	4130
6600	2995	8300	3765	8150	3700	9800	4445	9320	4230	9200	4170

15x19.5, 16 ply		18x19.5, 16 ply		15x19.5, 12 ply		15x19.5, 12 ply		18x19.5, 16 ply		18x19.5, 16 ply	
N/A		N/A		N/A		N/A		N/A		N/A	
14x17.5, 10 ply		14x17.5, 10 ply		15x19.5, 12 ply		15x19.5, 12 ply		14x17.5, 10 ply		18x19.5, 16 ply	
82.7	2100	82.5	2100	78.4	1990	78.4	1990	98.3	2495	94.2	2390
73.6	1870	73.6	1870	69.7	1770	69.7	1770	73.6	1870	75	1905
N/A	N/A	N/A	N/A	N/A	N/A	N/A	N/A	N/A	N/A	N/A	N/A
73.2	1860	73.2	1860	71.7	1870	71.7	1870	73.2	1880	71.7	1870
9.5	241	9.5	241	7.3	186	7.3	186	9.5	241	8.8	223
12.1	307	12.1	307	15.3	388	15.3	388	12.1	307	16.8	427
** wet disc, hydraulic		** wet disc, hydraulic		** wet disc, hydraulic		** wet disc, hydraulic		** wet disc, hydraulic		** wet disc, hydraulic	
shoe type, hydraulic		shoe type, hydraulic		N/A		N/A		N/A		N/A	
hand-operated, mechanical		hand-operated, mechanical		hand-operated, mechanical		hand-operated, mechanical		hand-operated, mechanical		hand-operated, mechanical	

Caterpillar 3054C Tier II		Caterpillar 3054C Tier II		Caterpillar 3054C Tier II		Caterpillar 3054C Tier II		Caterpillar 3054C Tier II		Caterpillar 3054C Tier II	
83		83		83		83		83		83	
61.92		61.92		61.92		61.92		61.92		61.92	
2400		2400		2400		2400		2400		2400	
4/258.3	4/4.233	4/258.3	4.4.233	4/258.3	4/4.233	4/258.3	4.4.233	4/258.3	4/4.233	4/258.3	4.4.233
power shuttle		power shuttle		power shuttle		power shuttle		power shuttle		power shuttle	
4/4	4/4	4/4	4/4	4/4	4/4	4/4	4/4	4/4	4/4	4/4	4/4
2500	17240	2500	17240	2500	17240	2500	17240	2500	17240	2500	17240