

LIFT KING<sup>®</sup>

LK-200R/LK-300R Dynaluggers



MOVING **YOUR** FUTURE

# SPECIFICATIONS

## LK200R



### Operating

Load Capacity .....20,000 lbs  
 Stack height grapple closed....16' 10" to 20' plus  
 Forward reach at max stack height....5' 6" to 10'  
 Capacity @ stack height .....10,000 lbs  
 Forward reach to center of grapple .....12"  
 Capacity @ max reach .....10,000 lbs  
 Below grade jaws open .....9'  
 Frame leveling .....10° right/left  
 Grapple specifications  
 360° degree continuous rotation  
 Total degree of tilt 106°

### Machine Dimensions

Height with grapple in carry position .....13'6"  
 Width .....10' 3"  
 Length – grapple in carry position .....23' 4"  
 Ground Clearance .....18"  
 Wheel Base .....136"  
 Outside turn radius .....21'

### Power Train

Standard engine  
 Cummins, Model B5.9C; 6 cylinder  
 Transmission: 4 speed full powershift  
 Torque converter  
 Front axle: HD outboard planetary  
 Rear axle: HD outboard planetary  
 Brakes:  
 Service: 4 Wheel Air  
 Parking: Spring applied wheel end  
 Tires: 18:00 x 25 – 20 ply front/rear  
 Electrical: 12 volt  
 Fuel system: 80 gals  
 4 Wheel steer (round – two wheel – crab)

### Hydraulics

Triple gear 35 GPM, 35 GPM, 35 GPM  
 Tank capacity 80 gal

### Travel Speeds

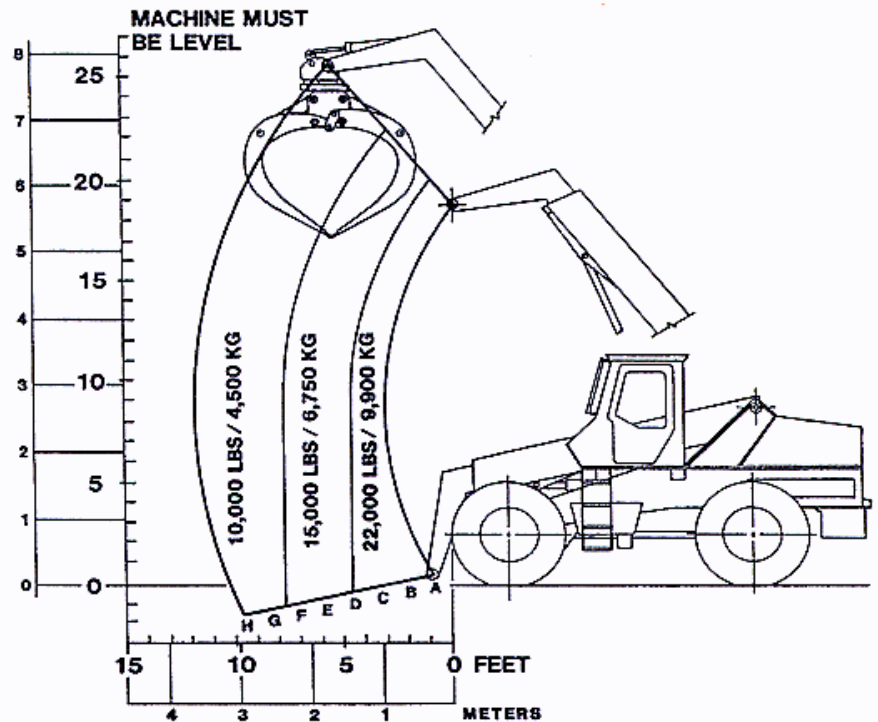
	W/Load	Empty
1 <sup>st</sup>	4.9	5.0
2 <sup>nd</sup>	10.1	10.3
3 <sup>rd</sup>	16.6	17.2
4 <sup>th</sup>	21.9	23.0

### Weight (Approximate)

Total 53,000

### CAPACITY CHART

#### LK200R



MANUFACTURER'S RECOMMENDED CAPACITY IS IN ACCORDANCE WITH ANSI B56.6 STABILITY TEST USING STANDARD HOMOGENEOUS CUBES 4'X4'X4'.

MANUFACTURER'S RECOMMENDED LOADS AND ANGLES SHOWN ARE AT THE CENTER OF GRAVITY OF THE ABOVE CUBE. CAPACITY ADJUSTMENTS MUST BE MADE FOR EXTENDED LOAD CENTERS AND OTHER VARIATIONS OF LOAD SIZE, ETC.

RATED LIFT CAPACITIES SHOWN ARE WITH MACHINE ON A FIRM, LEVEL SURFACE WITH UNDAMAGED, PROPERLY INFLATED CALCIUM CHLORIDE SOLUTION FILLED TIRES.



# SPECIFICATIONS

## LK300R



### Operating

Load capacity .....30,000 lbs  
 Stack height grapple closed ...16' 10" to 20' plus  
 Forward reach at max stack height.....5' 6" to 10'  
 Capacity @ stack height .....15,000 lbs  
 Forward reach to center of grapple.....12'  
 Capacity @ max reach .....15,000 lbs  
 Below grade jaws open .....9'  
 Frame leveling .....10° right/left  
 Grapple specifications  
 360° degree continuous rotation  
 Total degree of tilt 106°

### Machine Dimensions

Height with grapple in carry position .....13' 6"  
 Width .....10' 9"  
 Length – grapple in carry position .....23' 4"  
 Ground clearance .....18"  
 Wheel base .....136"  
 Outside turn radius .....21'

### Power Train

Standard engine

Cummins, Model B5.9C; 6 cylinder

Transmission: 4 speed full powershift

Torque converter

Front axle: HD outboard planetary

Rear axle: HD outboard planetary

Brakes:

Service: 4 Wheel Air

Parking: Drive line spring applied wheel end

Tires: 21:00 x 25 – 28 ply front/rear

Electrical: 12 volt

Fuel system: 80 gals

4 Wheel steer (round – two wheel – crab)

### Hydraulics

Triple gear 35 GPM, 35 GPM, 35 GPM

Tank capacity 80 gal.

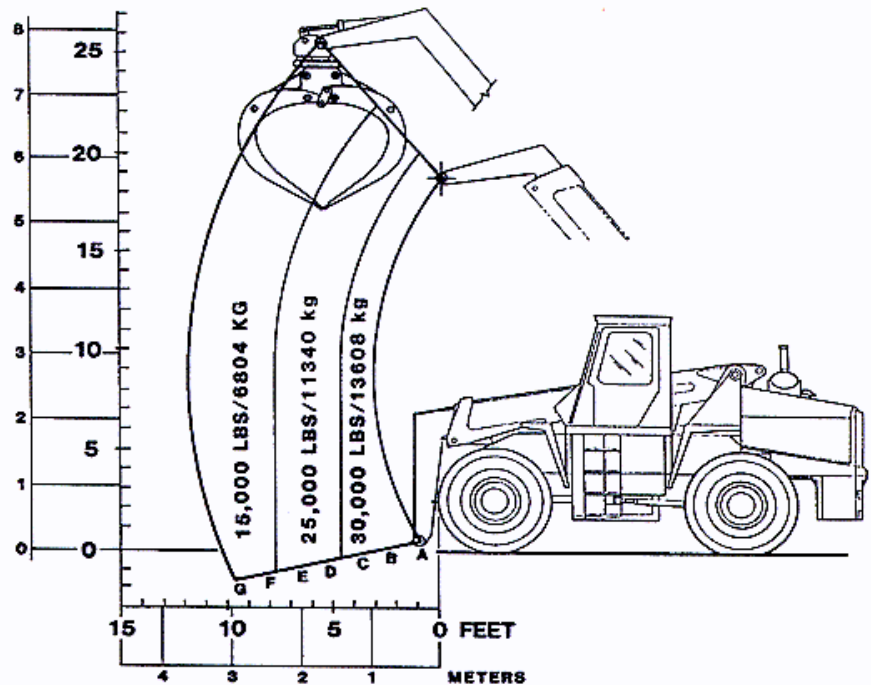
### Travel Speeds

	W/Load	Empty
1 <sup>st</sup>	4.9	5.0
2 <sup>nd</sup>	10.1	10.3
3 <sup>rd</sup>	16.6	17.2
4 <sup>th</sup>	21.9	23.0

### Weight (Approximate)

Total 65,400

### CAPACITY CHART LK300R



MANUFACTURER'S RECOMMENDED CAPACITY IS IN ACCORDANCE WITH ANSI B56.6 STABILITY TEST USING STANDARD HOMOGENEOUS CUBES 4'X'4'X'4'.

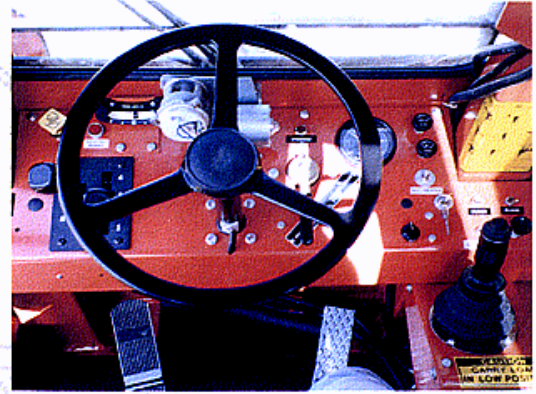
MANUFACTURER'S RECOMMENDED LOADS AND ANGLES SHOWN ARE AT THE CENTER OF GRAVITY OF THE ABOVE CUBE. CAPACITY ADJUSTMENTS MUST BE MADE FOR EXTENDED LOAD CENTERS AND OTHER VARIATIONS OF LOAD SIZE, ETC.

RATED LIFT CAPACITIES SHOWN ARE WITH MACHINE ON A FIRM, LEVEL SURFACE WITH UNDAMAGED, PROPERLY INFLATED CALCIUM CHLORIDE SOLUTION FILLED TIRES.



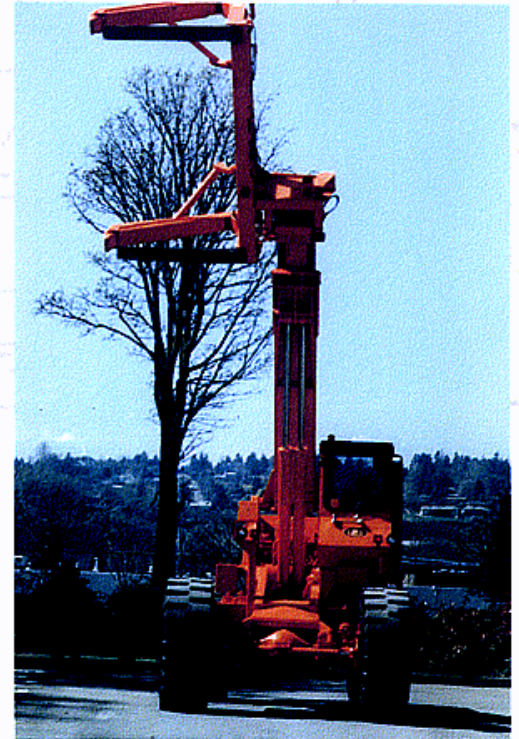
## STANDARD EQUIPMENT

10 degree frame tilt – right and left • Machine level indicator • Rear axle disconnect (for 2 wheel drive) • Load control valves • Two section telescopic boom • Double acting cylinders – Chrome plated rods • Two dual function “joysticks” • Transmission disconnect • Fenders • All weather cab • Backup alarm • Light package • Air horn • Adjustable seat • Heater • Defroster • Windshield wiper • Dome light • Gauges: Transmission oil temperature • Water temperature • Engine oil pressure • Fuel • Battery • Air pressure • Tachometer • Hour meter.



## OPTIONAL EQUIPMENT

- 1 cord pulpwood grapple
- Quick attach for multiple attachments
- 1 1/2 cord pulpwood grapple
- 2.5 to 5 yard capacity light materials buckets
- 2 cord pulpwood grapple
- Log forks with holddowns
- 1 cord by-pass grapple
- Pole baler carriage with holddowns (straight or 90° swing)
- Large selection of Log and Lumber Carriages (consult factory)



7135 Islington Avenue  
Woodbridge, Ontario  
Canada, L4L 1V9  
Tel: (905) 851-3988  
Fax: (905) 851-6396  
Toll free: 1-888-LIFTKING  
E-Mail: info@liftking.com  
www.liftking.com

Authorized Dealer

Liftking Industries Inc. reserves the right to make improvements in design and changes in specifications without notice and without incurring obligation as to units already sold.